



## MM32253P SERIES ~ 3 Line Common Mode Choke



### FEATURES

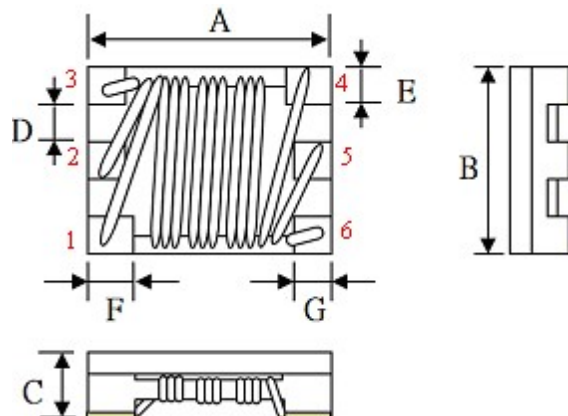
1. Miniature surface mount component – 3.2 × 2.5 mm footprint, 1.8 mm high
2. Application for common mode noise of high-speed differential signal line impact on the signal is anxious .
3. 3 Line , it is possible to correspond to the various circuits and noise .
4. RoHS-compliant, halogen free. 260°C compatible.

### PART NUMBERING SYSTEM

<b>MM</b>	<b>32253P</b>	—	<b>5 0 1</b>	—	<b>LF</b>
TYPE	DIMENSIONS		INDUCTANCE		LEAD FREE

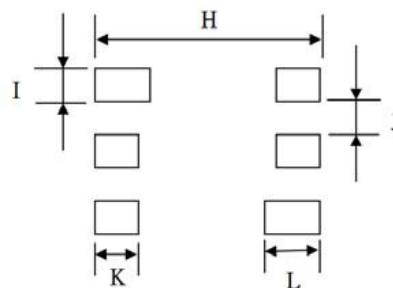
### SHAPES AND DIMENSIONS

UNIT : mm



A=3.2±0.2 B=2.5±0.2 C=1.3 Max. D=0.25±0.1 E=0.67±0.1 F=0.6±0.1 G=0.5±0.1

### Recommended PC Board Pattern



H=3.9 I=0.55 J=0.50 K=0.75 L=0.90



**Coilmaster Electronics Co., Ltd.**  
9F-3 No.398, Huan Bei Rd. Chung Li, Taoyuan City 320, Taiwan  
Tel : +886-3-422-8279 Fax : +886-3-452-5688

E-mail : [info@coilmaster.com.tw](mailto:info@coilmaster.com.tw)  
Web Site : [www.coilmaster.com.tw](http://www.coilmaster.com.tw)

## MM32253P SERIES ~ 3 Line Common Mode Choke

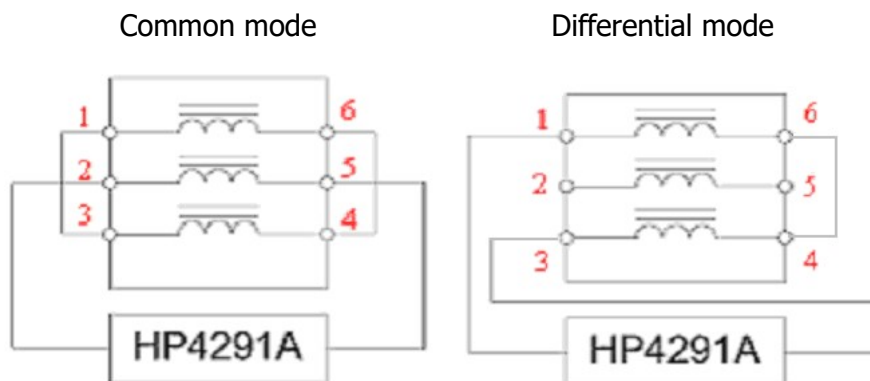


### SPECIFICATION TABLE

PART NUMBER	Common Mode Impedance( $\Omega$ ) (at 100MHz)	RATED CURRENT (mA)	DCR ( $\Omega$ ) (Max)	RATED VOLTAGE (VDC Typ.)	Withstand Volt. (VDC)	INSULATION RESISTANCE (M $\Omega$ )
MM32253P-501-LF	500 $\pm$ 25%	300	0.43	50	125	10 min.

Operating Temperature Range : -40~+125 $^{\circ}$ C (Including self - temperature rise)

### SCHMATIC DIAGRAM

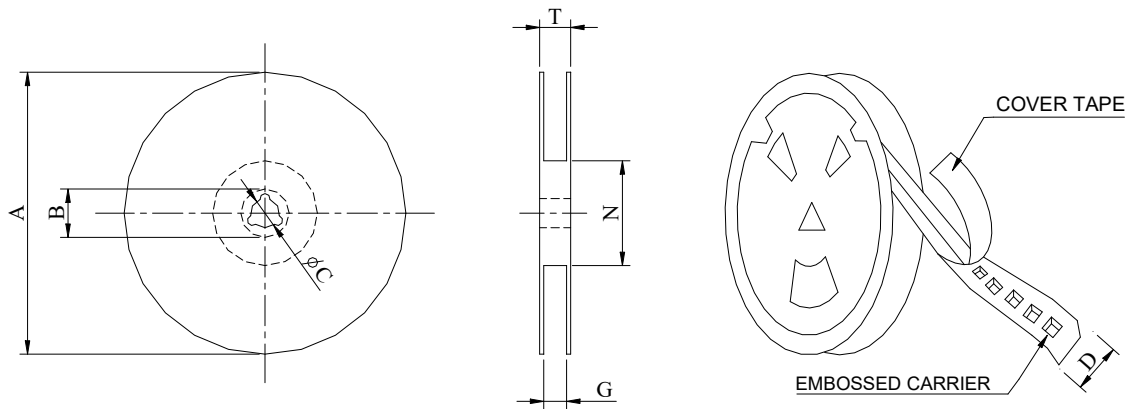




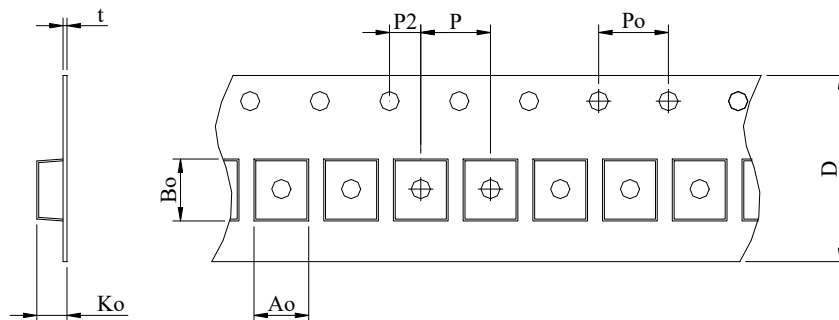
# MM32253P SERIES ~ 3 Line Common Mode Choke



## PACKAGING SPECIFICATION



\*CARRIER TAPE WIDTH : D



SERIES	STAYLE	Q'TY (PCS)	DIMENSIONS (m/m)								
			A	Ao	Bo	Ko	t	N	P	Po	D
MM32253P	178	1,000	178	2.80	3.60	1.80	0.24	60	4	4	8.0